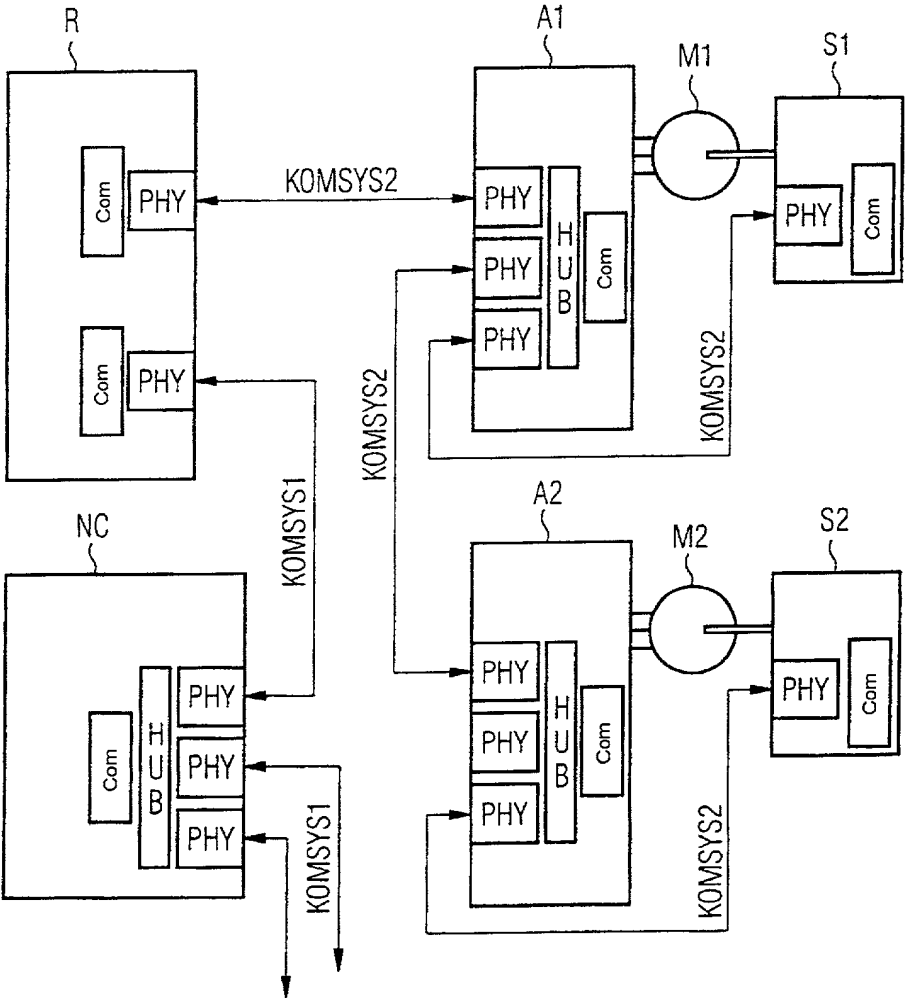


200014773

1/4

FIG 1



Pub. No. 2000/060606

200014773

2/4

FIG 2

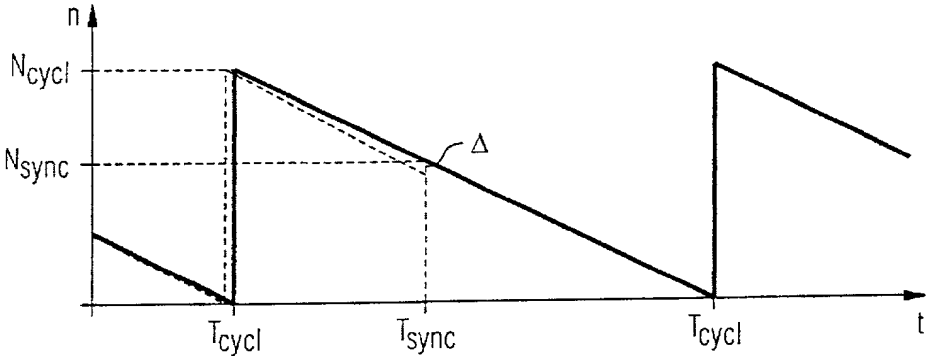
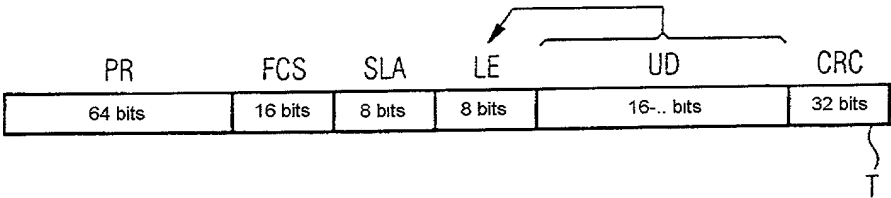


FIG 4



FILED 2000 03 06



200014773

4/4

FIG 5

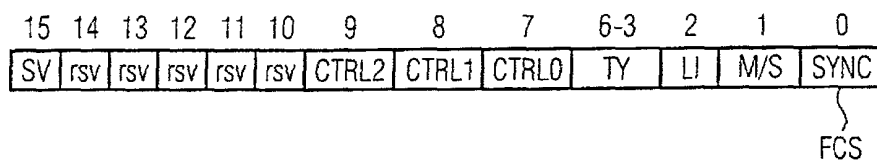
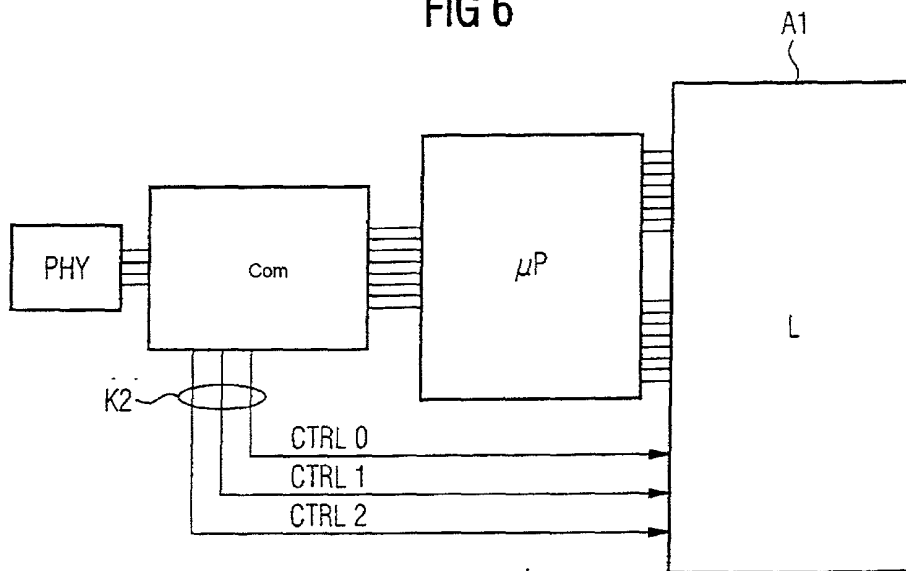


FIG 6



200014773